

P.E.T. SCREEN

Installation Guide.



GB | ACOUSTICS

1.

Lay panels on the floor and make sure they but up firmly against one another with no gap, check for square.

Layout supplied hinges as shown, paying special attention to spacing and ensuring hinge barrels are in line with panel seams.

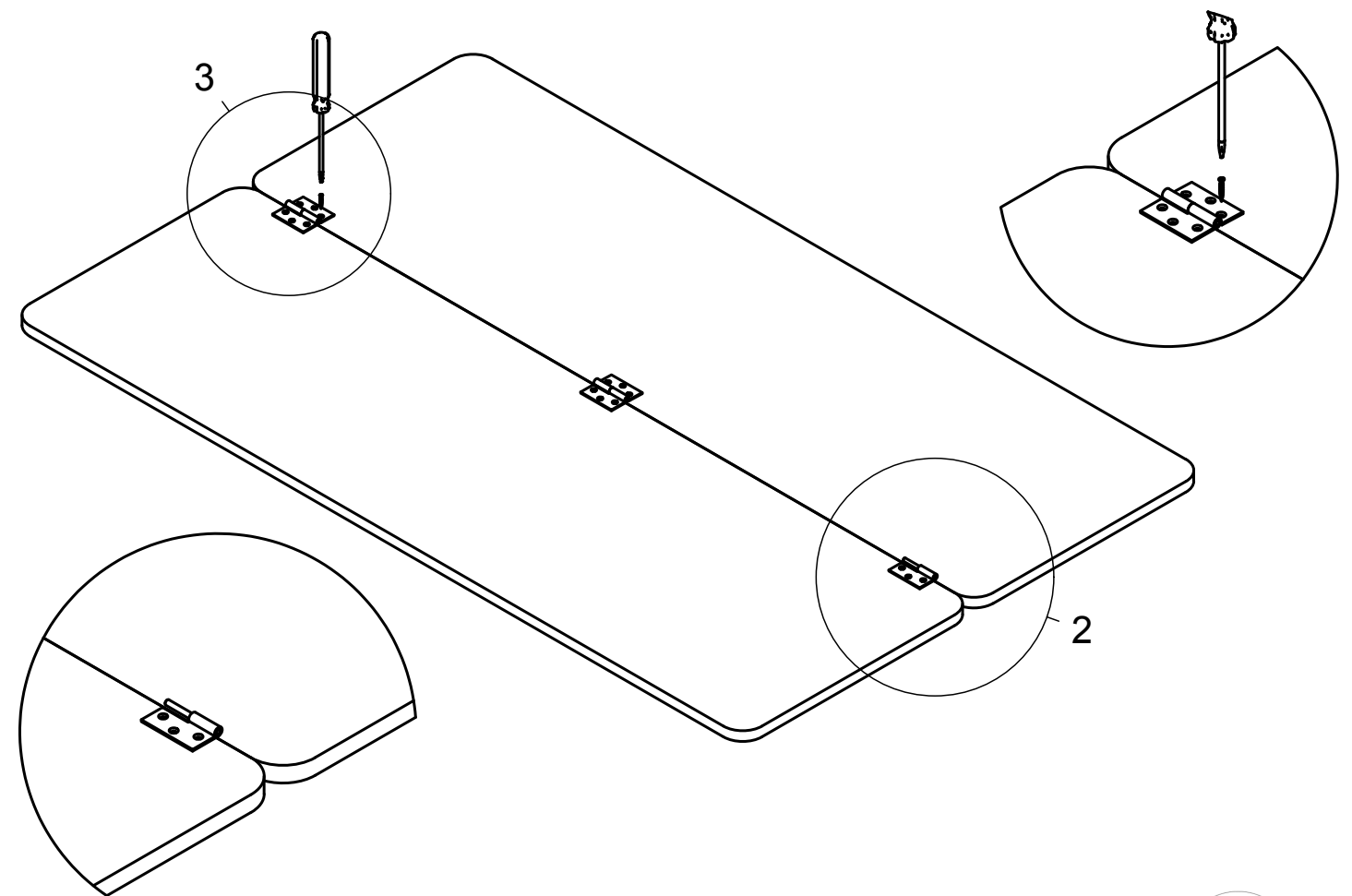
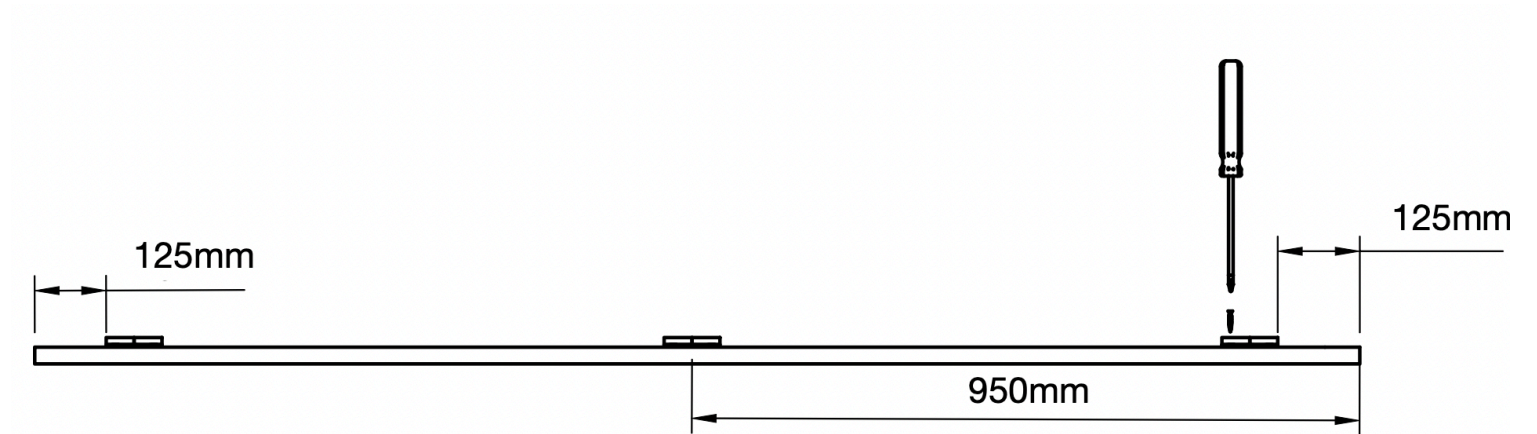
2.

Ensure that supplied **lift-off hinge internal barrels** are facing upward and to the left of each panel connection point - as shown.

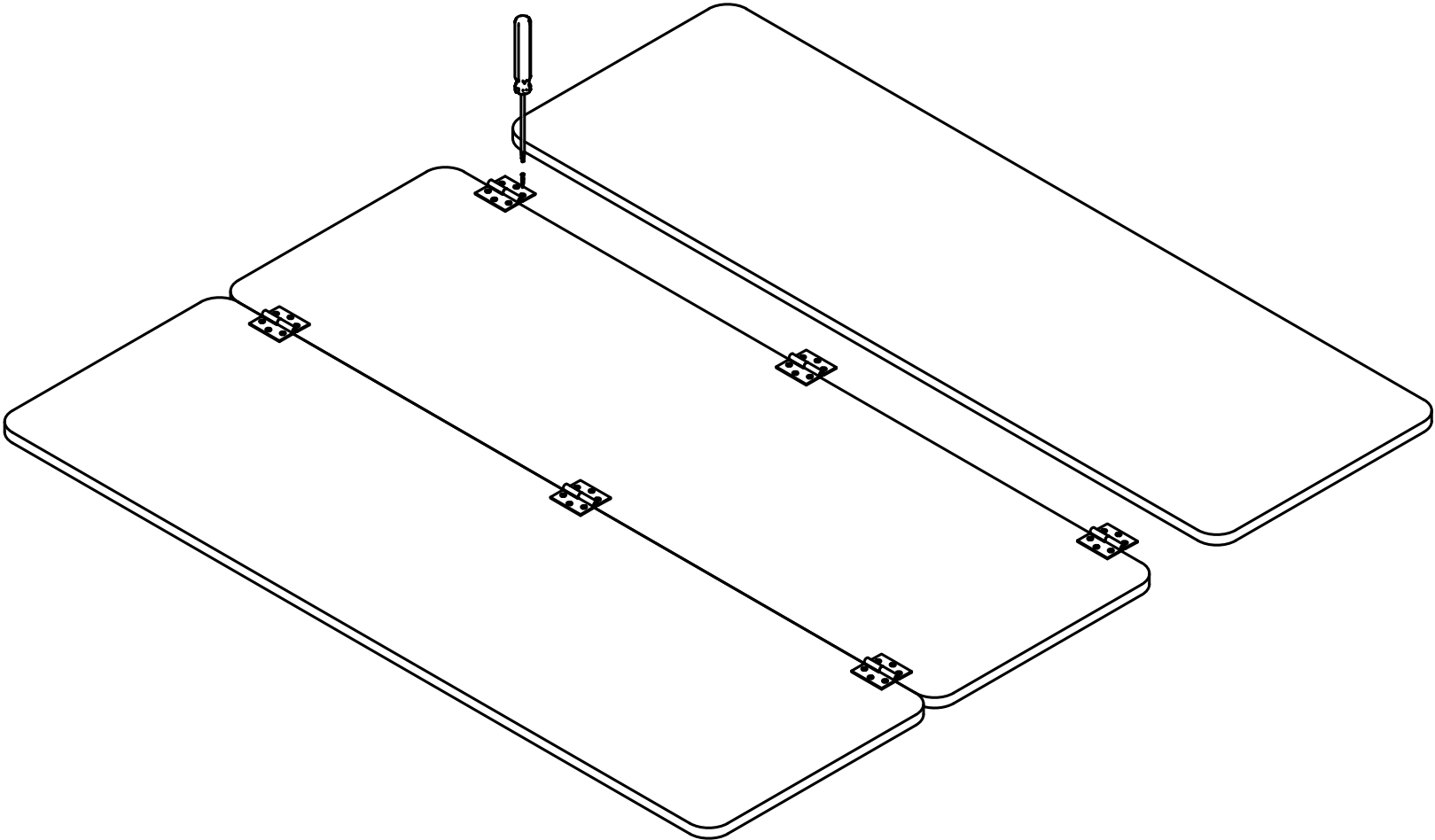
3.

Now attach the three supplied hinges - as shown - **making sure both the left and right pieces of each hinge are firmly seated together. Do not over tighten screws**, if using a drill-driver please utilise the lowest torque setting available and finish off manually.

Tip – Place the ends of the panels against a skirting board to guarantee square.



Additional panels are easily added for a screen or room divider that can be extended indefinitely.

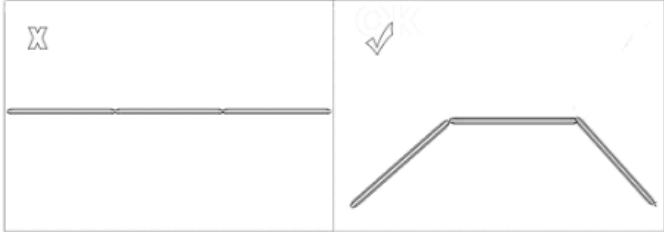


4.

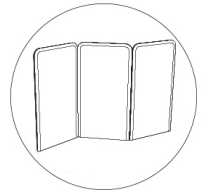
Place your additional panel alongside as shown and install included hinges by following steps 1-3.

5.

Lift your now assembled screen up with assistance and stagger the panels as shown avoiding a straight line.



Option 2: Zig-Zag



4.

Start by flipping the already assembled two panel screen so that the hinges are facing the floor.

5.

Place your additional panel alongside as shown and install included hinges by following steps 1-3.

6.

Lift your now assembled screen up with assistance and stagger the panels as shown avoiding a straight line.

