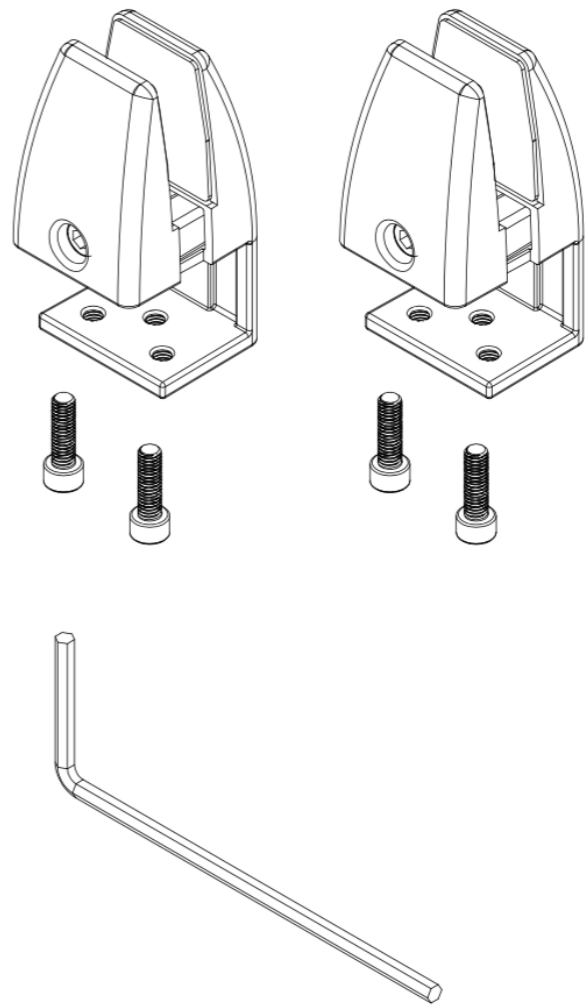
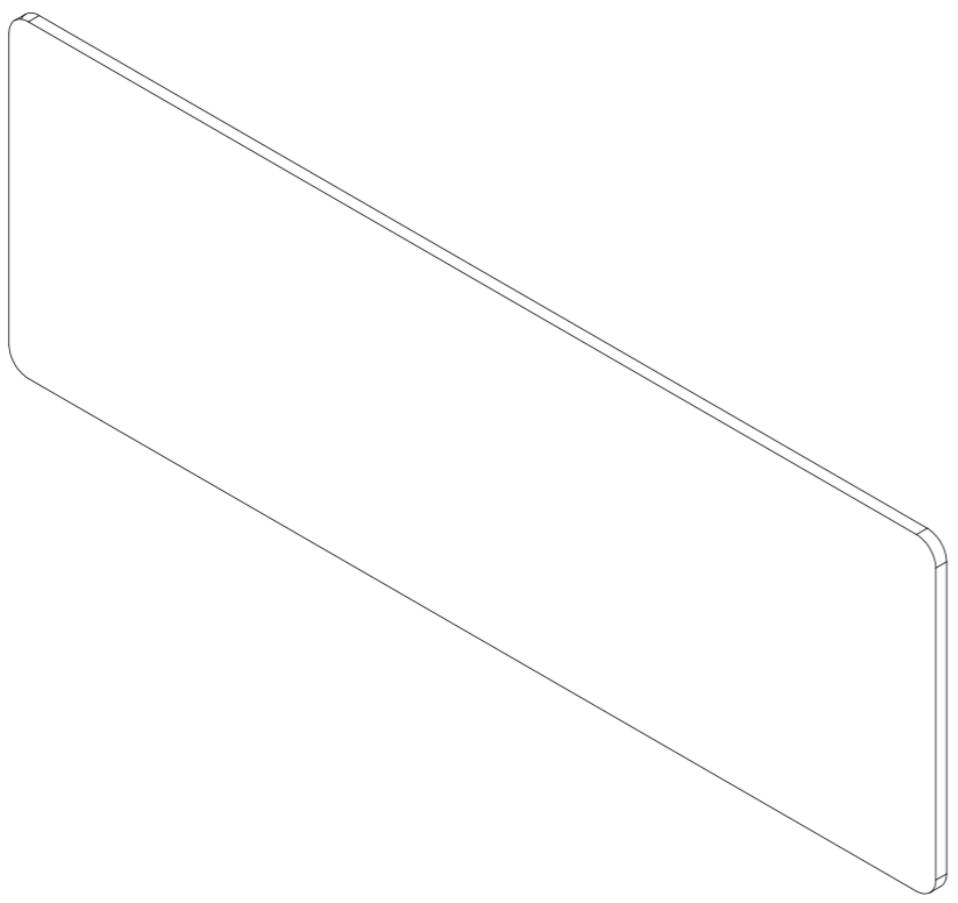


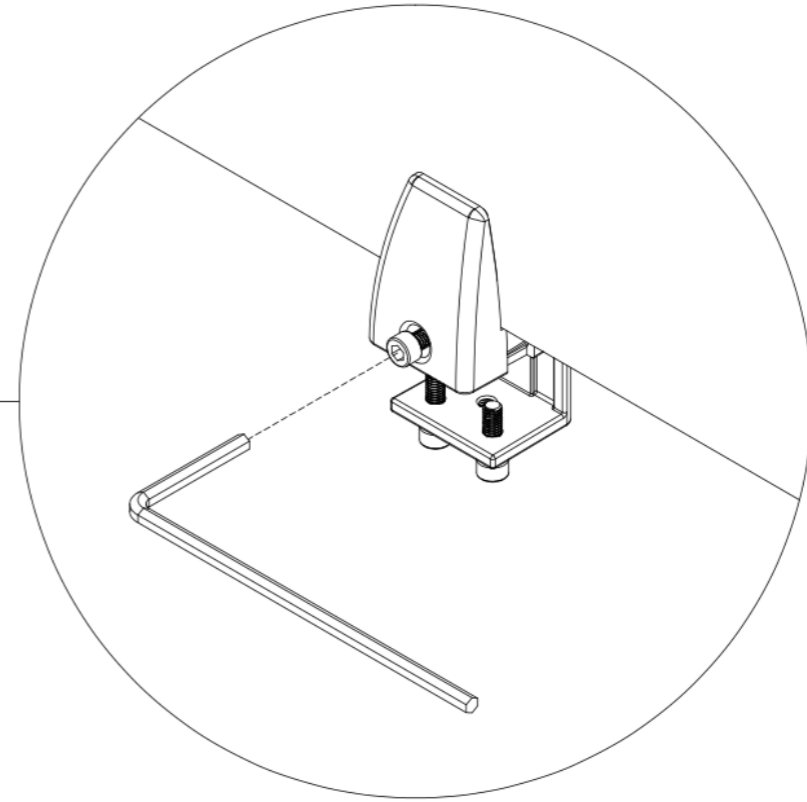
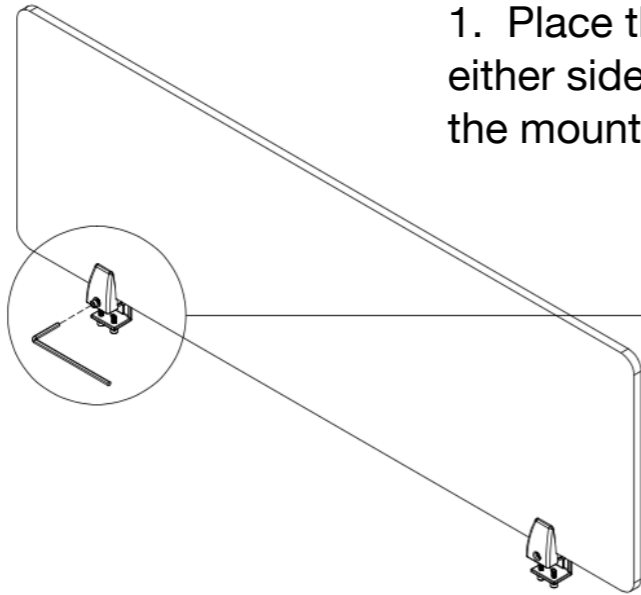
Installation Guide.

P.E.T. Desk Divider

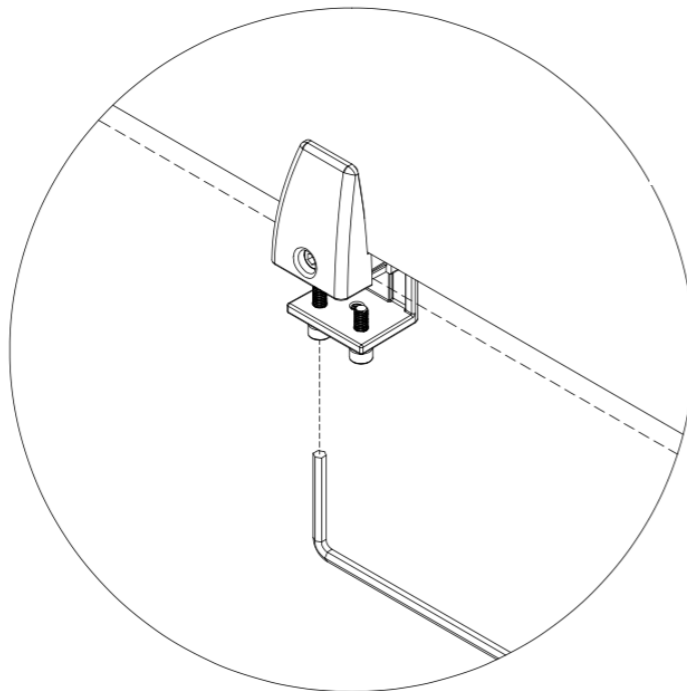




1. Place the clear plastic inserts either side of the interior faces of the mounting clips.



2. Place the desk panel into the mounting clips and tighten the supplied socket bolt with a hex key.



3. Secure Mounting clips to the desktop with 4 screws using a hex key.

