

Installation Guide.

P.E.T. Baffles - C Profile



PETBaffleSystem

C Profile

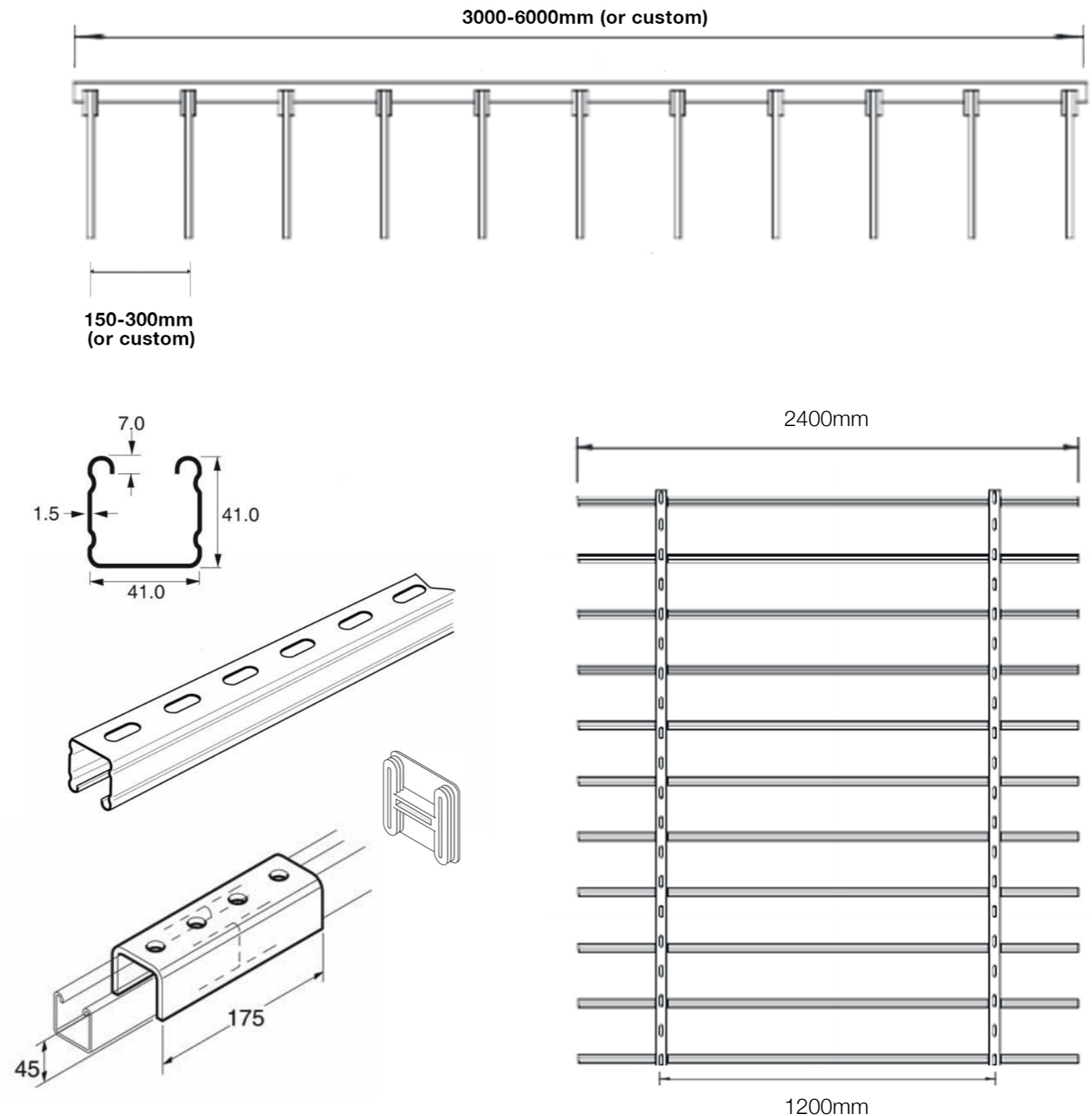
The system can be broken into individual units of 2400mm x 3000mm (or customised). Each unit consists of two parallel lengths of 41 x 41 x 1.5mm slotted channel ('light') - sold separately - and your allocated 2400 x 300mm baffles.

Channel lengths can be customised or joined for longer runs, baffle spacing can easily be adjusted to meet your projects acoustic and aesthetic demands.

1.

Start by installing your parallel lengths of slotted channel into your ceiling substrate at 1200mm centers and as specified in your design/ brief. The channels can be suspended by cable or directly mounted to your ceiling substrate by mechanical fixings - sold separately.

Channels can be cut to size as required by mitre or band saw and coloured end caps can be applied to tidy up the exposed unit ends.



2.

The baffles - with their precisely cut profiles - are then easily pushed into your preinstalled channels. Each baffle locking into place with a Satisfying 'thunk'. Each unit can then be loaded with baffles in a matter of minutes.

To achieve an even distribution of baffle a temporary spacer can be employed at each end. For a permanent solution which additionally hides the channels interior, coloured closure strips can be cut to size and installed between baffle centres

